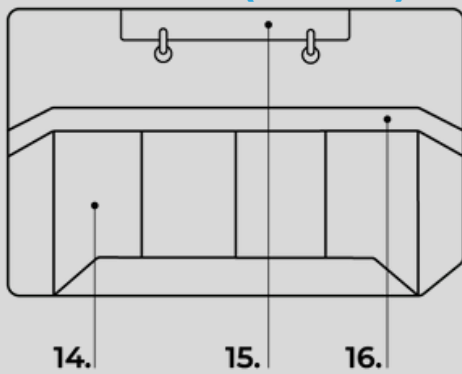
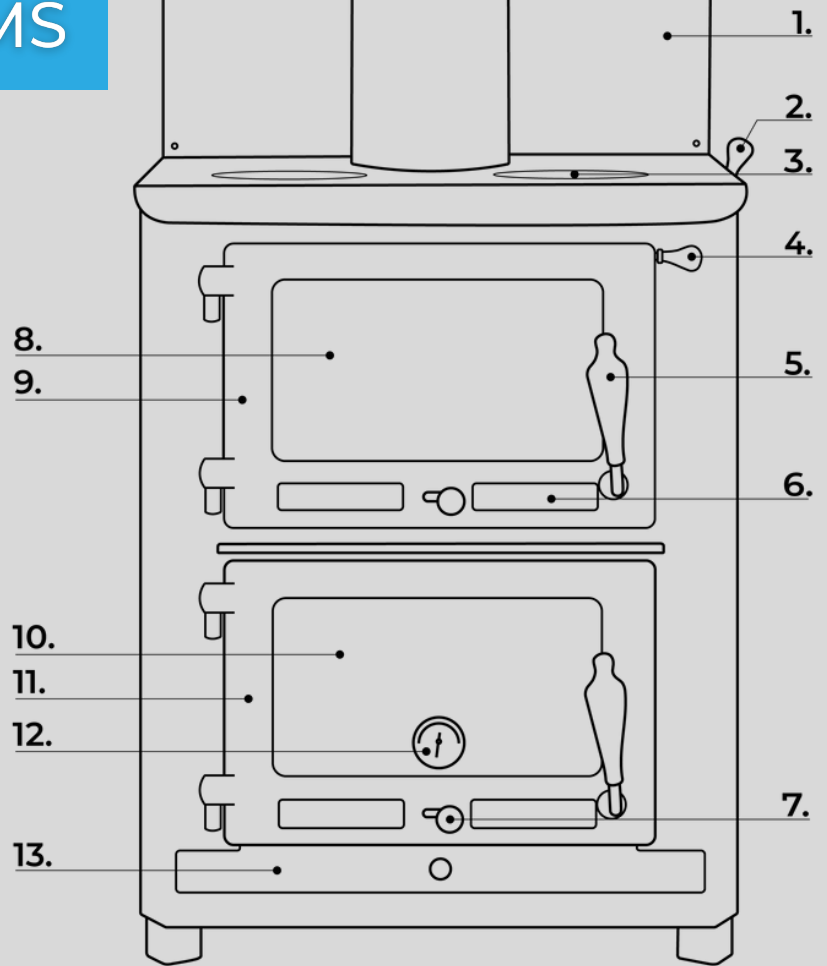
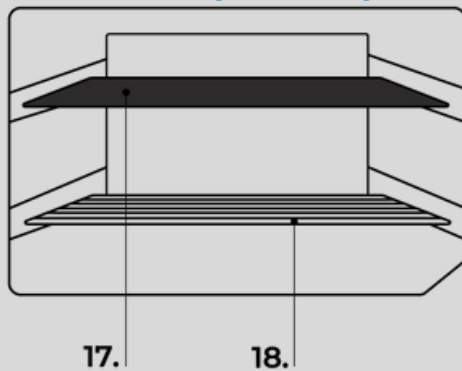


# GOURMET DIAGRAMS

## FIREBOX (Interior)



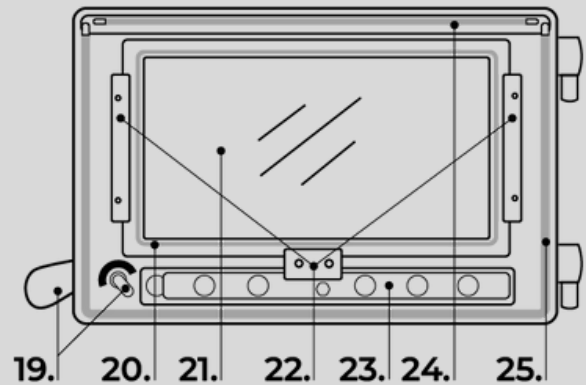
## OVEN (Interior)



## IDENTIFYING PARTS LIST

1. SPLASHBACK
2. FLUE DAMPER HANDLE (SPRING)
3. HOTPLATE (ROUND)
4. TOP AIR CONTROL
5. LARGE SPRING HANDLES
6. MESH AIR VENT COVERS
7. AIR CONTROL SLIDE (CAST)
8. FIREBOX DOOR GLASS
9. FIREBOX DOOR
10. OVEN DOOR GLASS
11. OVEN DOOR
12. OVEN THERMOMETER
13. ASHPAN INCLUDING KNOB
14. FIRE BRICKS
15. BAFFLE PLATE
16. BRICK RETAINER
17. OVEN TRAY
18. WIRE RACK
19. DOOR CLASP HANDLE
20. GLASS SEAL (ROPE)
21. GLASS PANEL FOR DOOR
22. GLASS RETAINERS
23. AIR CONTROL SLIDE
24. TOP AIR CONTROL (ROPE SEAL)
25. FIREBOX / OVEN DOOR (ROPE SEAL)

## OVEN/FIREBOX Door (REAR)



## CLEARANCES

A (REAR)	B (SIDE)	C (HEARTH)	D (CORNER)
125mm	400mm	450mm	400mm

